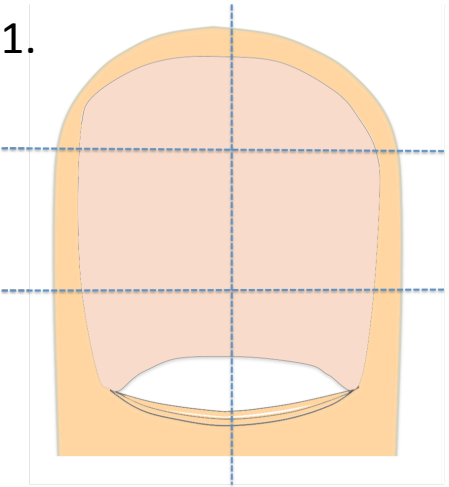


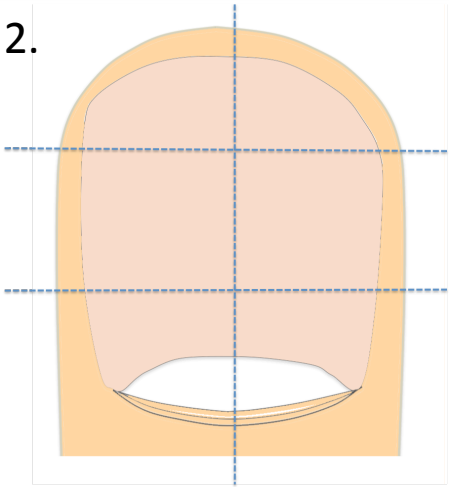
Nail Fungus Treatment Tracker, from <http://FungusFacts.com>

1.



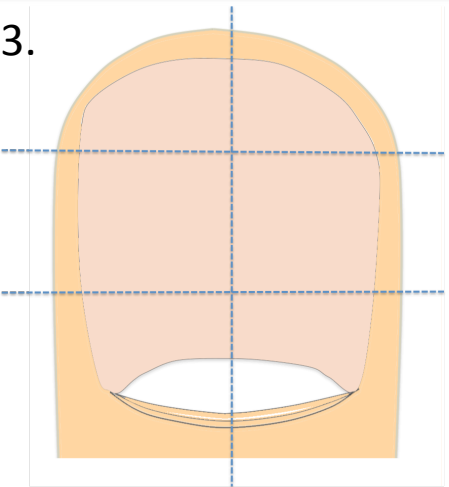
Date \_\_\_\_\_

2.



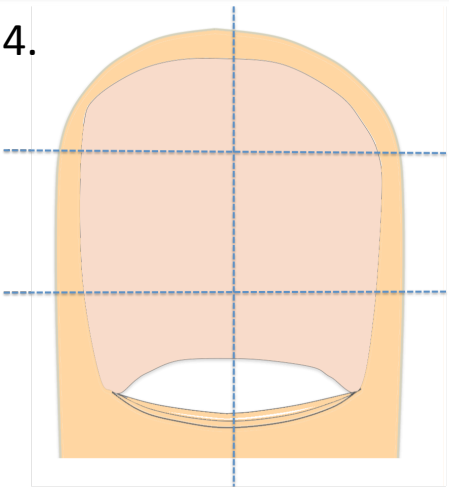
Date \_\_\_\_\_

3.



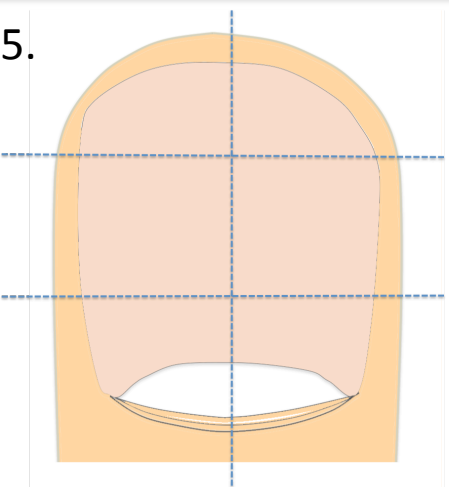
Date \_\_\_\_\_

4.



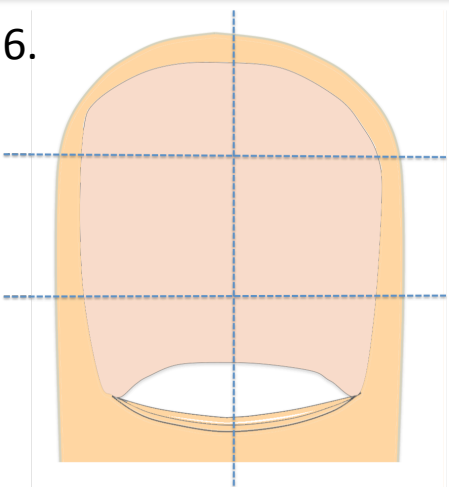
Date \_\_\_\_\_

5.



Date \_\_\_\_\_

6.



Date \_\_\_\_\_